

MDVR 165X

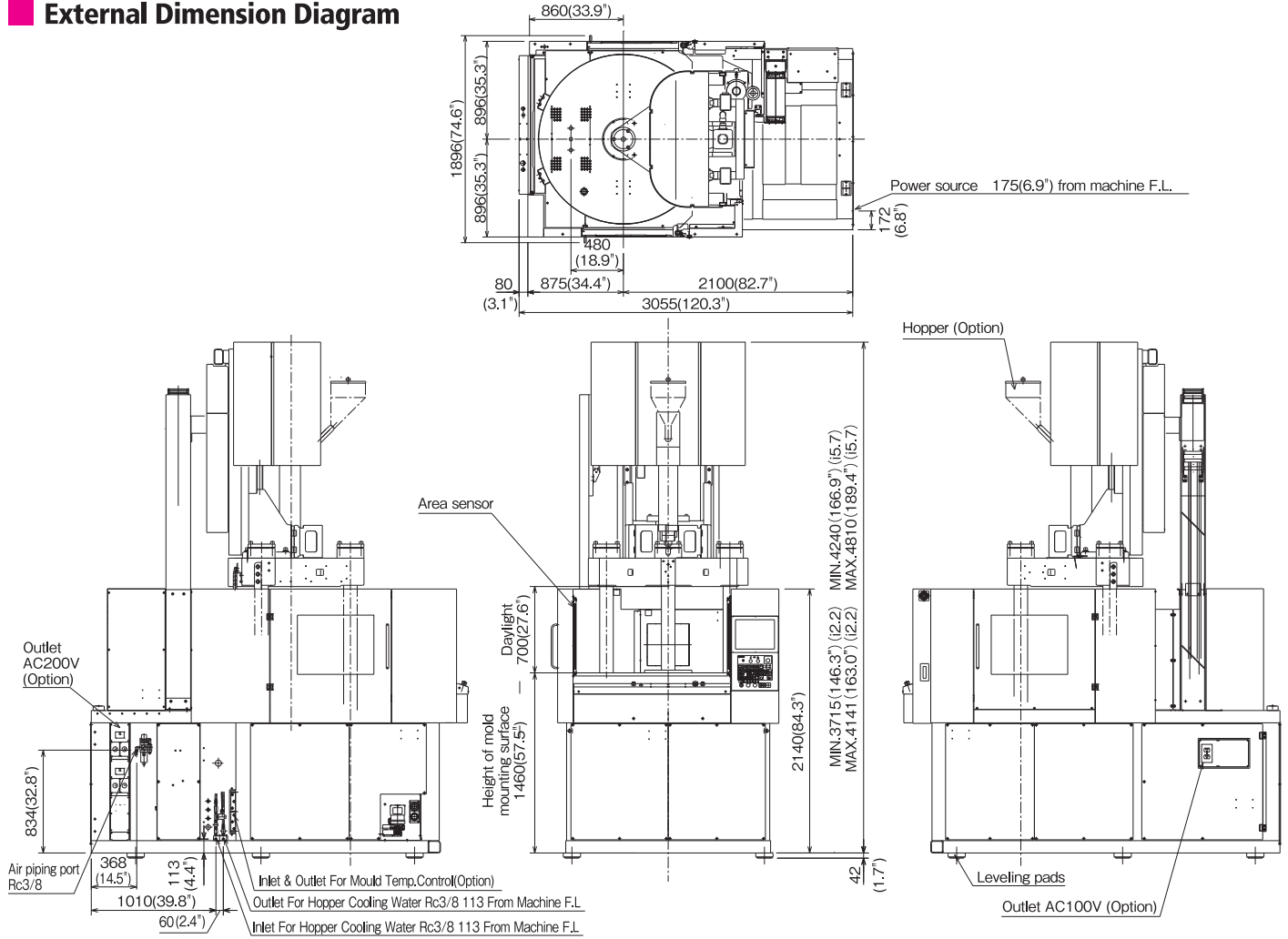
Specifications

Item		Unit	Standard		Large Capacity			
Clamping Unit	Clamping System	–	Double Toggle					
	Clamping Force	kN (USt)	1500 (186.7)					
	Table Diameter	mm (in)	1550 (61.02)					
	Max. Mold Size	mm (in)	500 (19.68) x 500 (19.68)					
	Mold Height Min / Max	mm (in)	300 (11.81) / 400 (15.75)					
	Max. Mold Weight	kg (oz)	Upper 200 (7054) / Lower 400 (14108)					
	Mold Opening Stroke	mm (in)	300 (11.81)					
	Open Daylight	mm (in)	700 (27.58)					
	Ejector Stroke	mm (in)	100 (3.94)					
	Ejector Force	kN (USt)	35 (3.93)					
	No. of Ejector Rods	pcs	1					
Standard Injection Unit	Injection Capacity	T•m	i2.2			i5.7		
	Screw Type	–	A	B	Y	A	B	
	Screw Diameter	mm (in)	35 (1.38)	40 (1.57)	40 (1.57)	45 (1.77)	52 (2.05)	
	Screw Stroke	mm (in)	115 (4.53)			180 (7.09)		
	Calculated Injection Volume	cm ³ (cu-in)	111 (6.77)	145 (8.85)	226 (13.79)	286 (17.45)	382 (23.31)	
	Injection Mass	g (oz)	102 (3.6)	133 (4.68)	208 (7.34)	263 (9.28)	352 (12.42)	
	Max. Injection Pressure	MPa (psi)	200 (29010)	155 (22480)	250 (36260)	200 (29010)	140 (20310)	
	Max. Hold. Pressure	MPa (psi)	180 (26110)	135 (19580)	250 (36260)	180 (26110)	125 (18130)	
	Max. Injection Speed	mm/s (in/s)	260 (10.24)			150 (5.91)		
	Injection Rate	cm ³ /s (cu-in/s)	250 (15.26)	327 (19.95)	188 (11.47)	239 (14.58)	319 (19.47)	
	Screw Speed	RPM	365			300		
	Plasticizing Capacity	kg/h (oz/s)	61 (0.60)	89 (0.87)	61 (0.60)	89 (0.87)	85 (0.83)	
	Nozzle Stroke	mm (in)	280 (11.02) / Max. 430 (16.93)			386 (15.20) / Max. 500 (19.69)		
	Nozzle Touch Force	kN (USt)	15 (1.69)			25 (2.81)		
	Temperature Zone	Nozzle/Heating	–	1G + 2 + 1G				
		Hopper base	–	1				
	Heating Capacity	kW	8.11			11.02		
Others	Machine kVA	kVA	29			36		
	Machine Mass	T (USt)	11.1 (12.2)			12.3 (13.52)		
	Machine Size	L	mm (inch)	3055 (120.28)			3055 (120.28)	
		W	mm (inch)	1896 (74.65)			1896 (74.65)	
H		mm (inch)	4141 (163.03)			4810 (189.37)		

Specifications are subject to change without notice.

MDVR165X

External Dimension Diagram



Mold Mounting Dimension Diagram

