

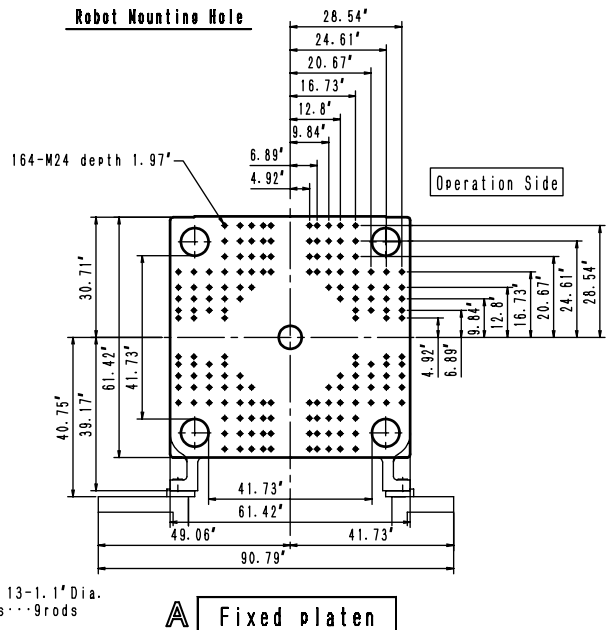
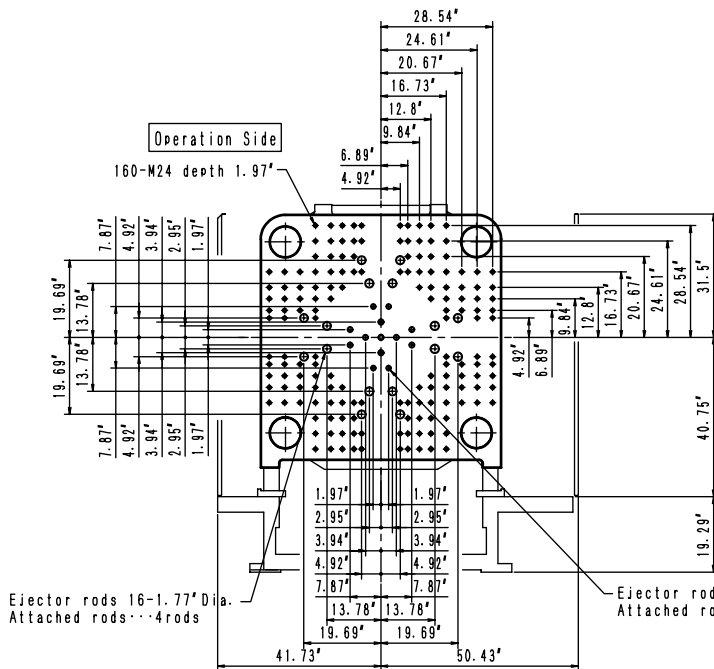
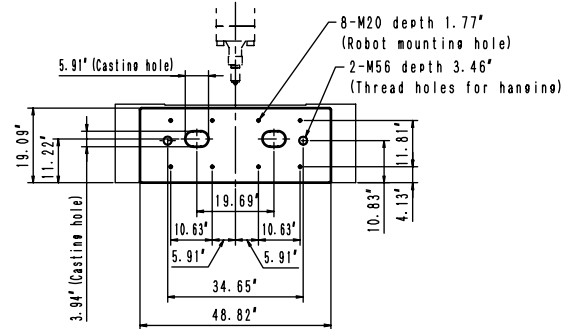
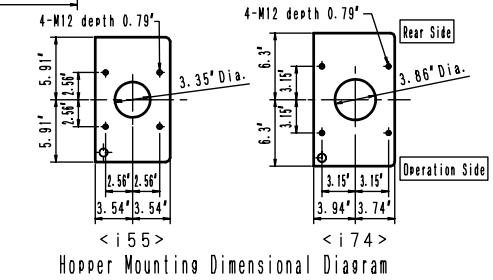
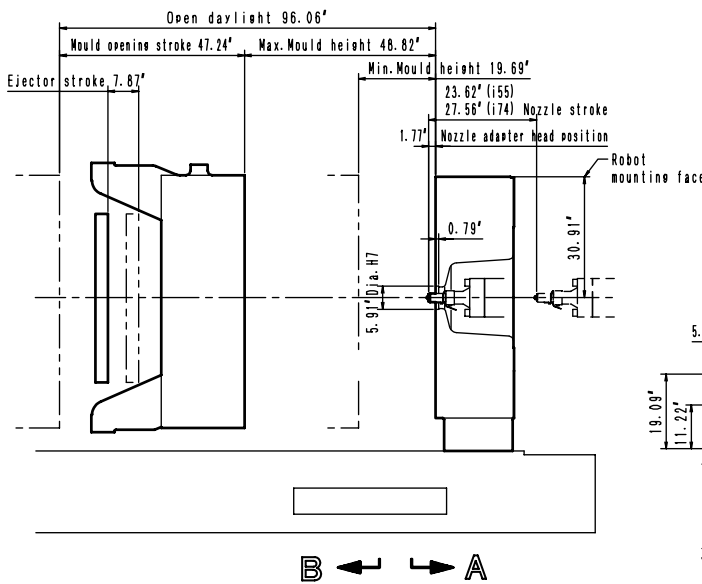
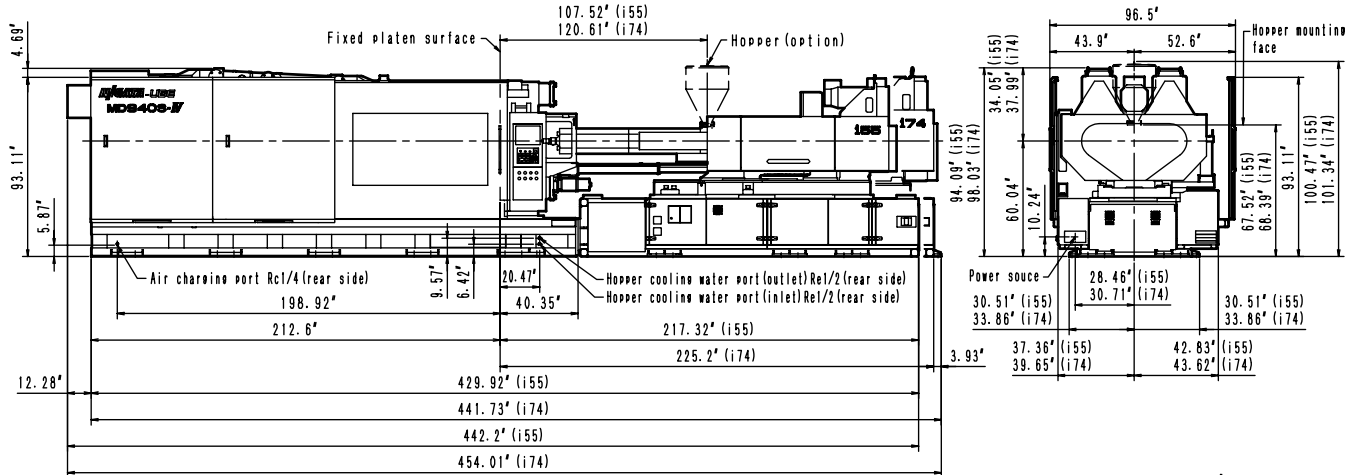
MD 950 S-IV

Specifications

Item		Unit	MD 950 S-IV	
Clamping Unit	Clamping System		Double Toggle	
	Clamping Force		8330 (936)	
	Location Hole Diameter		5	
	Tie-Bar Distance		1060 x 1060 (41.73 x 41.73)	
	Platen Size		1560 x 1560 (61.42 x 61.42)	
	Max. Mold Open Stroke		1200 (47.24)	
	Mold Height: Min. / Max.		500 / 1240 (19.69 / 48.82)	
	Daylight		2440 (96.06)	
	Ejector Stroke		200 (7.87)	
	Ejector Force		245 (27.54)	
Injection Unit	Injection Unit		T•m i 74	
	Screw Type		A B	
	Screw Diameter		100 (3.94) 112 (4.41)	
	Screw Stroke		500 (19.69)	
	Theoretical Shot Volume		3927 (239.64) 4926 (300.60)	
	Shot Mass		3613 (127.44) 4532 (159.86)	
	Max. Injection Pressure		185 (26830) 150 (21760)	
	Max. Holding Pressure		170 (24660) 135 (19580)	
	Max. Injection Speed		150 (5.91)	
	Injection Rate		1178 (71.89) 1478 (90.19)	
	Screw Speed		120	
	Plasticizing Capacity		430 (4.21) 450 (4.41)	
	Nozzle Stroke		700 (27.56)	
	Nozzle Touch Force		4.4	
	Automatic Temperature Control Zone		1G + 5	
	Heater Capacity		51.25	
Others	Machine kVA		240	
	Machine Mass		49 (53.9)	
	Machine Size	L	11.5 (454.0)	
		W	2.4 (96.5)	
		H	2.5 (98.0)	
	Hopper Capacity		L (gal.) 120 (31.70)	

Notes: * "Y" size screws are optional.

External Dimension Diagram



B Movable platen

A Fixed platen