

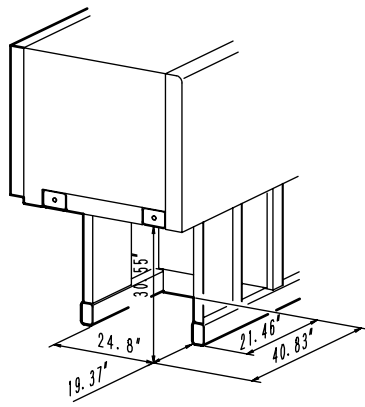
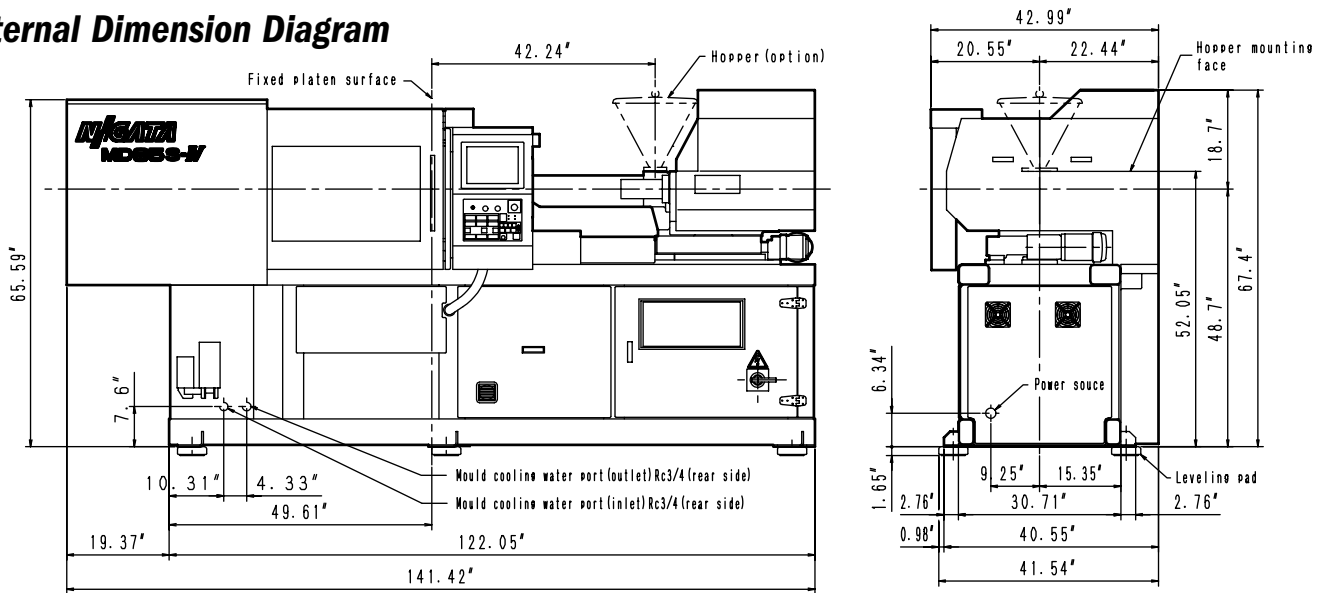
MD 85 S-IV

Specifications

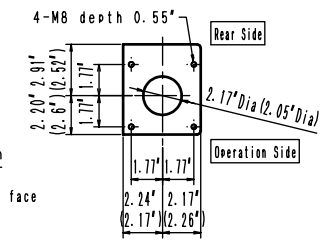
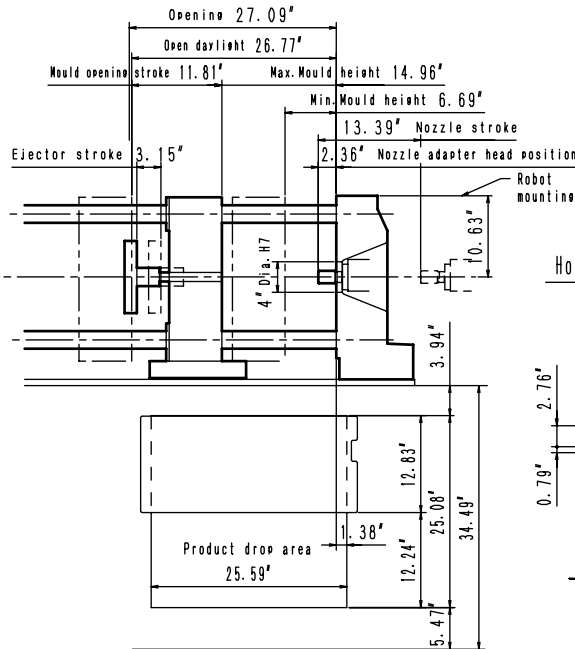
Item		Unit	MD 85 S-IV			
Clamping Unit	Clamping System	-	Double Toggle			
	Clamping Force	kN (USt)	750 (84)			
	Location Hole Diameter	(inch)	4			
	Tie-Bar Distance	mm (inch)	360 x 360 (14.17 x 14.17)			
	Platen Size	mm (inch)	530 x 530 (20.87 x 20.87)			
	Max. Mold Open Stroke	mm (inch)	300 (11.81)			
	Mold Height: Min. / Max.	mm (inch)	170 / 380 (6.69 / 15.00)			
	Daylight	mm (inch)	680 (26.77)			
	Ejector Stroke	mm (inch)	80 (3.15)			
	Ejector Force	kN (USt)	25 (2.8)			
Injection Unit	Injection Unit	T•m	i 1.7			
	Screw Type	-	Y	YA	A	B
	Screw Diameter	mm (inch)	*25 (0.98)	28 (1.10)	30 (1.18)	35 (1.38)
	Screw Stroke	mm (inch)	120 (4.72)			
	Theoretical Shot Volume	cm ³ (cu.in)	59 (3.60)	74 (4.52)	85 (5.19)	115 (7.02)
	Shot Mass	g (oz)	54 (1.90)	68 (2.40)	78 (2.75)	106 (3.74)
	Max. Injection Pressure	MPa (PSI)	280 (40610)	230 (33360)	200 (29010)	150 (21760)
	Max. Holding Pressure	MPa (PSI)	260 (37710)	210 (30460)	180 (26110)	135 (19580)
	Max. Injection Speed	mm/s (inch/s)	300 (11.81)			
	Injection Rate	cm ³ /s (cu.in/s)	147 (8.97)	185 (11.29)	212 (12.94)	289 (17.64)
	Screw Speed	min ⁻¹	400			
	Plasticizing Capacity	kg/h (oz/s)	30 (0.29)	40 (0.39)	48 (0.47)	67 (0.66)
	Nozzle Stroke	mm (inch)	340 (13.39)			
	Nozzle Touch Force	TONS	2.42			
	Automatic Temperature Control Zone	-	1G + 3			
Heater Capacity	kW	5.10	6.35			
Others	Machine kVA	kVA	26			
	Machine Mass	t (USt)	3.5 (3.9)			
	Machine Size	L	m (inch)			
		W	m (inch)			
		H	m (inch)			
	Hopper Capacity	L (gal.)	15 (3.96)			

Notes: * "Y" size screws are optional.

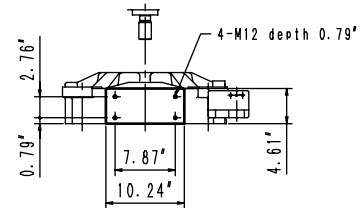
External Dimension Diagram



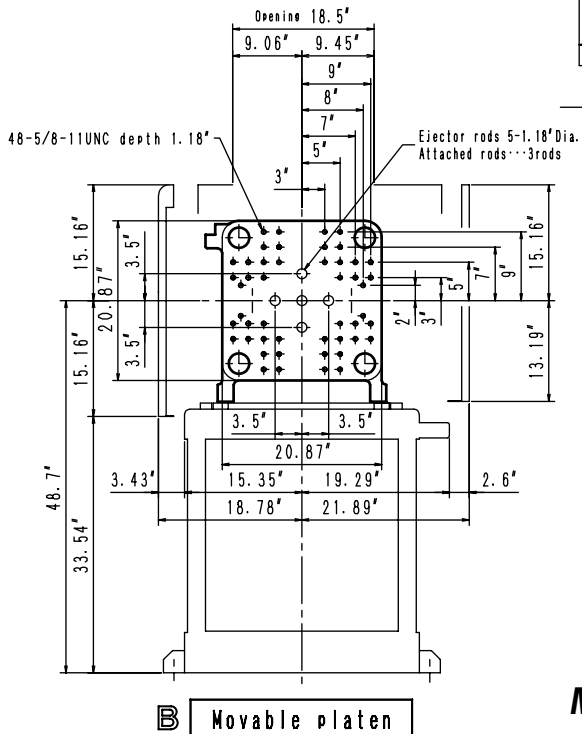
Clamping side
lower opening space



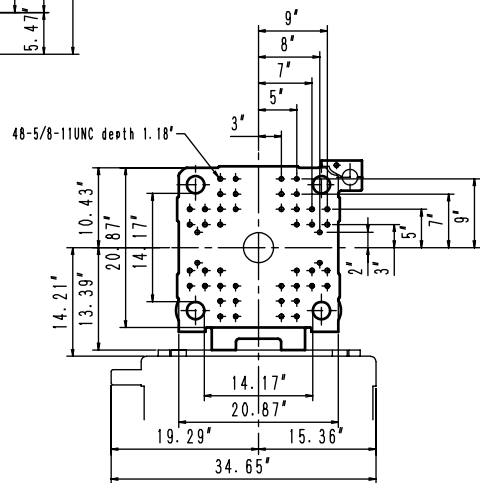
Hopper Mounting Dimensional Diagram
() : For Screw diameter of 0.98"



Robot Mounting Hole



B Movable platen



A Fixed platen

Mold Mounting Dimensional Diagram