

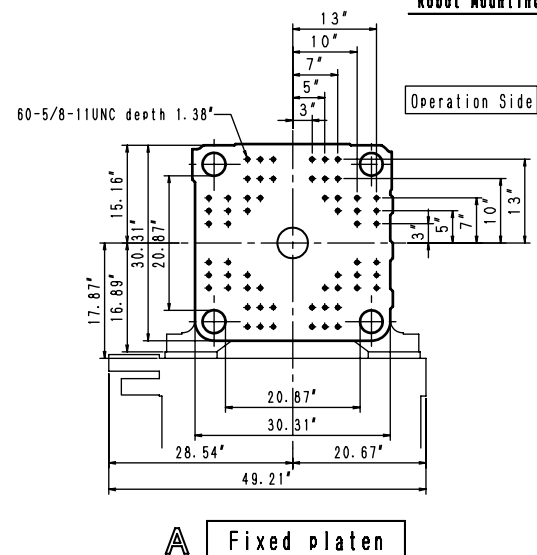
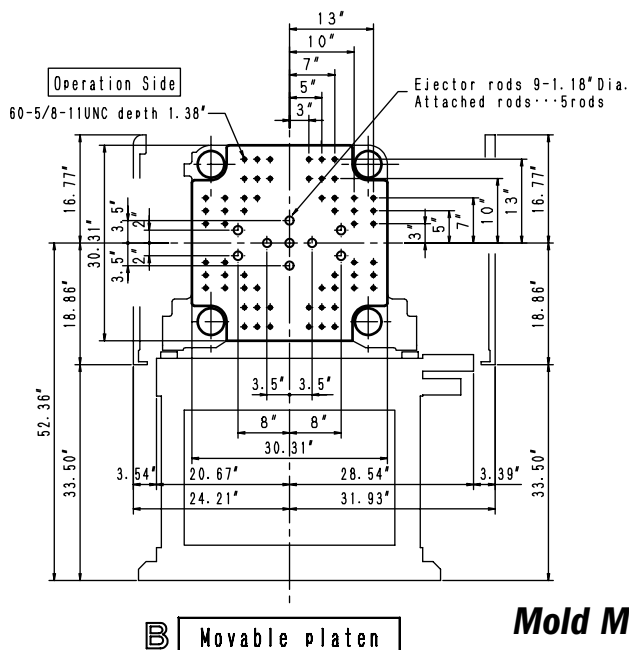
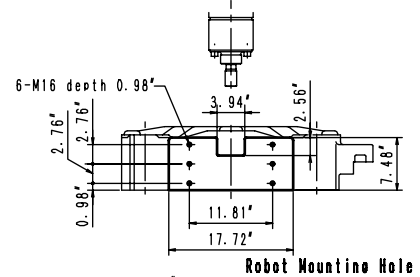
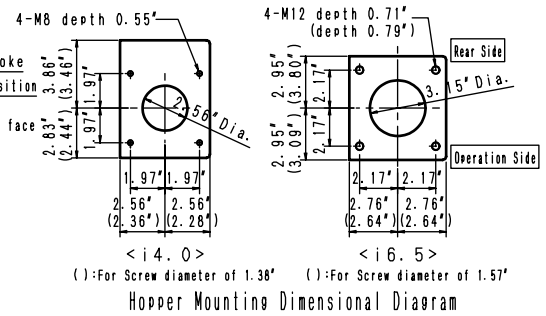
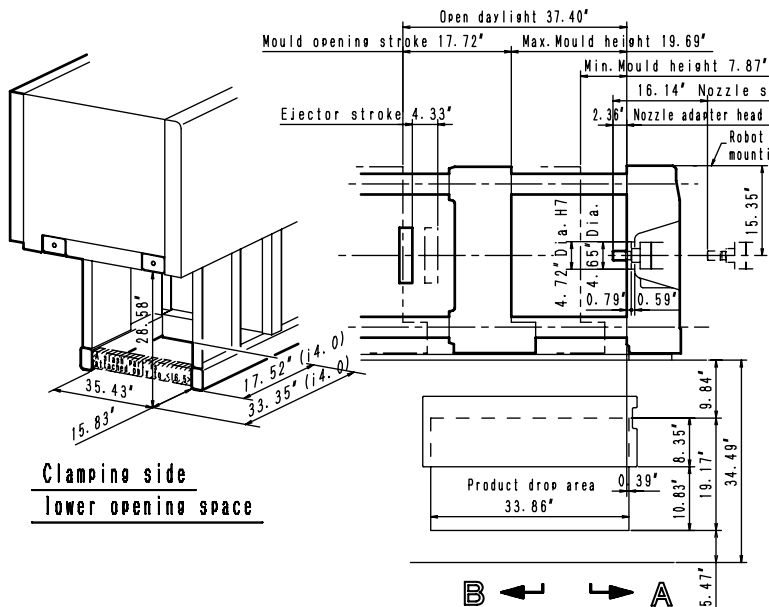
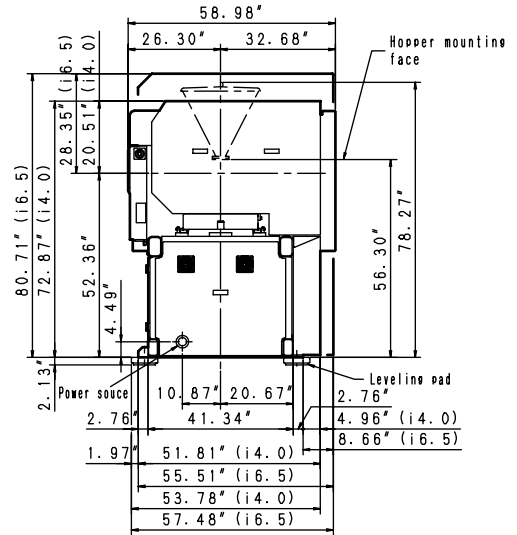
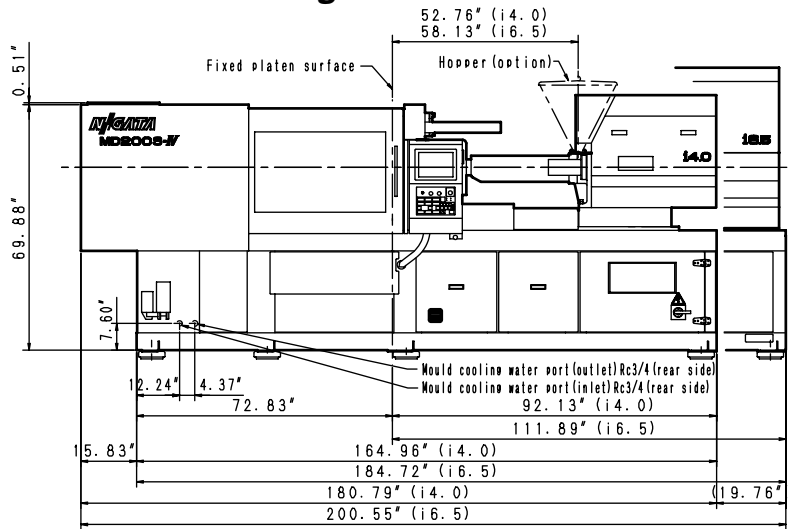
MD 200 S-IV

Specifications

Item		Unit	MD 200 S-IV														
Clamping Unit	Clamping System		Double Toggle														
	Clamping Force		1800 (202)														
	Location Hole Diameter		4														
	Tie-Bar Distance		530 x 530 (20.87 x 20.87)														
	Platen Size		770 x 770 (30.31 x 30.31)														
	Max. Mold Open Stroke		450 (17.72)														
	Mold Height: Min. / Max.		200 / 500 (7.87 / 19.69)														
	Daylight		950 (37.40)														
	Ejector Stroke		110 (4.33)														
	Ejector Force		45 (5.06)														
Injection Unit	Injection Unit		T•m			i 4.0		i 6.5									
	Screw Type		-														
	Screw Diameter		mm (inch)			*35 (1.38)		40 (1.57)		45 (1.77)		*40 (1.57)		45 (1.77)		52 (2.05)	
	Screw Stroke		mm (inch)			160 (6.30)			205 (8.07)								
	Theoretical Shot Volume		cm ³ (cu.in)			154 (9.40)		201 (12.27)		254 (15.50)		258 (15.74)		326 (19.89)		435 (26.55)	
	Shot Mass		g (oz)			142 (5.01)		185 (6.53)		234 (8.25)		237 (8.36)		300 (10.58)		401 (14.14)	
	Max. Injection Pressure		MPa (PSI)			260 (37710)		200 (29010)		155 (22480)		250 (36260)		200 (29010)		150 (21760)	
	Max. Holding Pressure		MPa (PSI)			235 (34080)		180 (26110)		140 (20310)		225 (32630)		180 (26110)		135 (19580)	
	Max. Injection Speed		mm/s (inch/s)			300 (11.81)											
	Injection Rate		cm ³ /s (cu.in/s)			286 (17.45)		373 (22.76)		472 (28.80)		377 (23.00)		477 (29.11)		637 (38.87)	
	Screw Speed		min ⁻¹			400											
	Plasticizing Capacity		kg/h (oz/s)			63 (0.62)		103 (1.01)		128 (1.25)		113 (1.11)		148 (1.45)		228 (2.23)	
	Nozzle Stroke		mm (inch)			410 (16.14)											
	Nozzle Touch Force		TONS			4.5											
	Automatic Temperature Control Zone		-			1G + 3											
	Heater Capacity		kW			9.35		10.55		11.19		14.19					
Others	Machine kVA		kVA			46			61								
	Machine Mass		t (USt)			7.3 (8.0)			8.5 (9.4)								
	Machine Size	L	m (inch)			4.6 (180.7)			5.1 (200.6)								
		W	m (inch)			1.5 (59.00)			1.5 (59.00)								
		H	m (inch)			1.9 (72.87)			2.1 (80.71)								
	Hopper Capacity		L (gal.)			45 (11.89)			45 (11.89)								

Notes: * "Y" size screws are optional.

External Dimension Diagram



Mold Mounting Dimensional Diagram